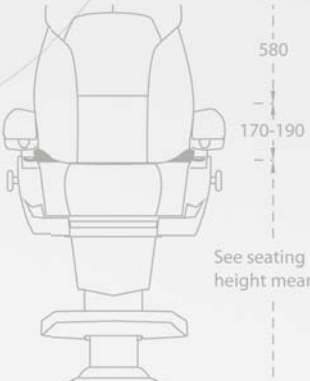


Nor Sap

TM



See seating height mearsuers



Top quality from NorSap in Norway.

NorSap has focused on high quality products since the company started in 1969.

High quality customer service is also vital to us. We have a wide standard product range, but our inhouse R&D/engineering capacity also means that we can adapt to specified wishes and requirements from customers.

In this catalog you can see both our wide product range for helmsman and operator chairs used in all kind of ships, rigs, ROV's etc. and also the products we sell to the pleasure boat industry.

We manufacture and sell from Kristiansand in the very south of Norway, we have an excellent international dealer network and we have active owners who can make quick decisions.

We look forward to be in contact with you or that you have a look at www.norsap.com



Table of contents

NorSap 800 Series	4
NorSap 1000 Series	6
NorSap 1500 Series	8
NorSap 1700 Series	10
NorSap 2000 Series	12
NorSap MX System	14
Modular armrests	16
Basic deck rails	18
Standard deck rails – manually operated	20
Standard deck rails – electrically operated	22
MX Deck Rails - electrically operated	24
Upholstery, embroidery and colors	26
1500 Series Armrest Equipment	28
1000 Series Armrest Equipment	29
Examples of extra equipment	30
Fixed table columns	31
10 reasons to do business with NorSap and our partners	32

NorSap 800 Series

The popular choice of operator chairs.

The NorSap 800 series is the lightest chair model from NorSap and a popular choice for smaller operator bases and vessels due to the small space it occupies.



Functions

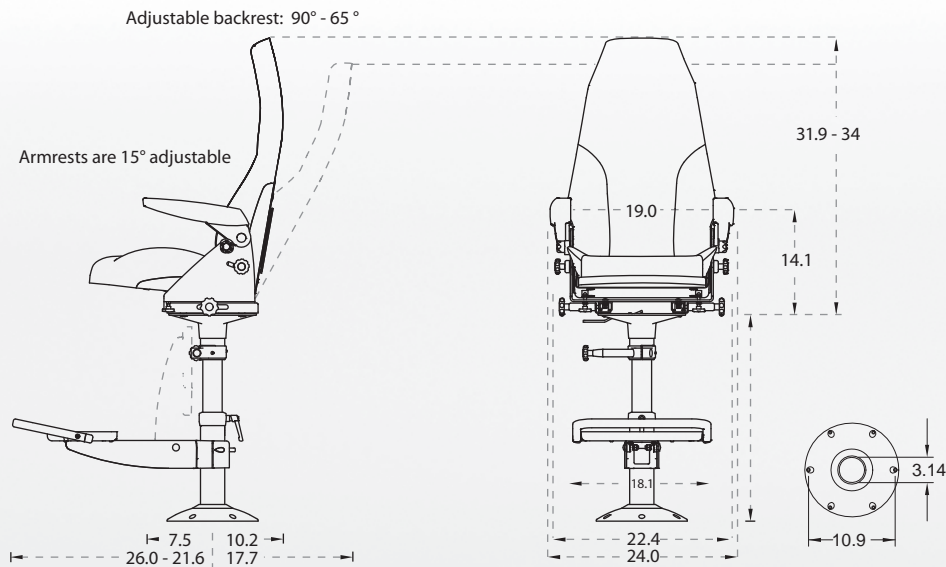
- Fixed or height adjustable column
- Adjustable footrest, with vertical adjustment
- Extra footrest loop
- Adjustable armrests, tiltable
- Adjustable backrest and seatrest
- Storage net on the backrest
- The footrest and armrests fold up
- Chair swivels 360°
- Available in fixed seating
- Glide rails provide horizontal adjustment

Optional

- 2 point seat belt
- Heated seat
- Lumbar support
- Additional seat cover
- Deck rail mounting
- Personal upholstery combination and embroidery. See page 26.

More info on the web...





Working diameter of the chair folded Ø25.2 inches. Expanded, Ø47.2 inches. Weight 70 lbs.



NorSap 800 - Art. No.: 6200

- On a top mounted deck rail Art. No.: 6250-1500UL

Article number and description

- Flanged Chairs (to be mounted on deck or deck rail)*
- 6200** NorSap 800 with gas dampened height adjustable column
- 6205** NorSap 800 with gas dampened height adjustable column
- Delivered without footrest front loop
- 6170** NorSap 800 with gas dam. height adjustable column, no footrest
- 6171** NorSap 800 with gas dam. height adjustable column, no footrest
- 6100** NorSap 800 with manual height adjustable column
- 6101** NorSap 800 with fixed height column
- 6110** NorSap 800 fixed seat top, fixed height column
- 6105** NorSap 800 fixed height column, no footrest

Sitting height measurements

- 27.6 - 34.3 inches
- 27.6 - 34.3 inches
- 19.7 - 23.6 inches
- 18.1 - 22.0 inches
- 24.4 - 31.1 inches
- 34.3 inches
- 16.9 inches
- 34.3 inches

5-star legged chair (free-standing office chair, optionally fixed to the deck)

- 6130** NorSap 800 Office with gas dampened height adjustable column 28.3 - 35.0 inches
- 6150** NorSap 800 Office with gas dam. height adj. column, no footrest 20.5 - 24.4 inches
- 6140** NorSap 800 Office with fixed column 22.0 inches
- 6141** NorSap 800 Office with fixed column, no footrest 26.0 inches

Seat tops only (to be mounted on casing)

- R-0012** NorSap 800 Seat top only - With glide rails
- R-0044** NorSap 800 Fixed seat top only
- 6465** Adapter plate for mounting the seat top on a flat base

Extra equipment

- 6283** Additional seat cover in fabric
- 6284** Additional water repellent seat cover in artificial leather
- 6461** 2 Point seat belt

Deck rail

Please see page 18 - 21 for further details.

All sitting heights measured without load - a variation of 0.7-1.7 inches may occur depending on the load due to contraction of gas-struts, springs and upholstery. Does not apply to the fixed height models. All fixed height columns can be cut to desired sitting height. If nothing else is requested, the chair will be delivered with black leather upholstery.

NorSap 1000 Series

Mounted on a strong Ø100 mm aluminum column.

NorSap 1000 is a solid and comfortable chair with the ability to integrate controlling equipment in the armrests. The chair has several adjustable features to ensure comfortable seating.



Functions

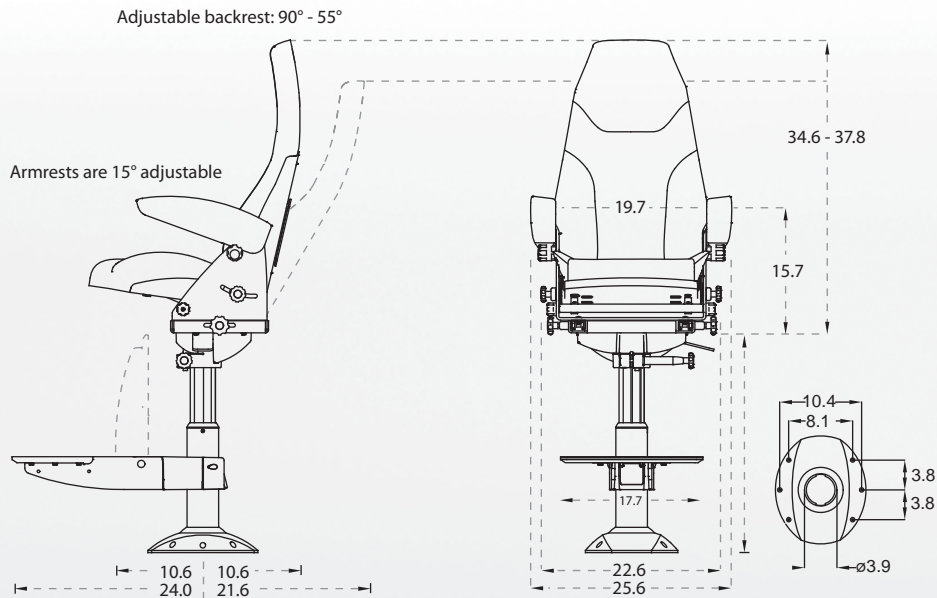
- Fixed or height adjustable column
- Adjustable footrest, with vertical adjustment
- Adjustable armrests, rise/tiltable
- Adjustable backrest and seatrest
- Storage net on the backrest
- The footrest and armrests fold up
- Chair swivels 360°
- Glide rails provide horizontal adjustment

Optional

- Ability to have equipment fitted in armrest. See page 29.
- 2 or 4 point seat belt
- Heated seat
- Lumbar support
- Additional seat cover
- Deck rail mounting
- Personal upholstery combination and embroidery. See page 26.

More info on the web...





Art. No.: 6028

Working diameter of the chair folded Ø25.2 inches. Expanded, Ø47.2 inches. Weight 88 lbs.

Article number and description

- 6010 SO/HV** Flanged mounted chairs (to be mounted on deck or deck rail) NorSap 1000 with gas dampened height adjustable column
- 6020 SO/HV** NorSap 1000 with gas dampened height adjustable column
- 6000 SO/HV** NorSap 1000 with fixed column
- 6005** NorSap 1000 with fixed column, no foot rest

Sitting height measurements

- 27.2 - 35.4 inches
- 24.8 - 30.3 inches
- 34.6 inches
- 15.0 inches

Charcoal gray powder coated with structure as standard, **SO** after the article number gives black powder coating, **HV** gives white powder coating.

- 6025** 5-star legged chairs (free-standing office chair, optionally fixed to the deck) NorSap 1000 Office with gas dampened height adjustable column 28.0 - 36.2 inches
- 6027** NorSap 1000 Office with gas dampened height adjustable column 25.6 - 31.1 inches
- 6015** NorSap 1000 Office with fixed column 31.5 inches
- 6016** NorSap 1000 Office with fixed column, no foot rest 15.7 inches

Suspension column

- 6028SO** NorSap 1000 seat top with suspension undercarriage - with glide rails 16.1 - 18.1 inches

Seat top only

- R-0009** NorSap 1000 seat top only - with glide rails 5.9 inches

Extra equipment for the arm rests

Please see page 29 for a selected overview of the possibilities for customizing the armrests.

Deck rail

Please see pages 18 - 21 for further details.

Seat cover

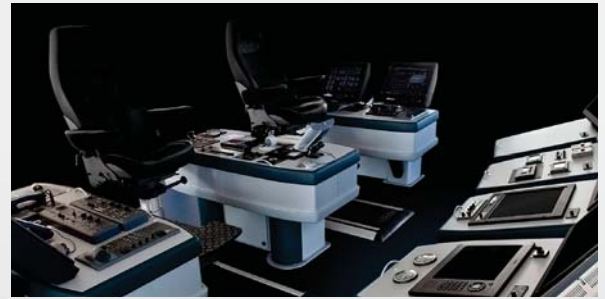
- 6041** Water repellent seat cover
- 6050** Fabric seat cover - durable

All sitting heights measured without load - a variation of 0.7-1.7 inches may occur depending on the load due to contraction of gas-struts, springs and upholstery. Does not apply to the fixed height models. All fixed height columns can be cut to desired sitting height. If nothing else is requested, the chair will be delivered with black leather upholstery.

NorSap 1500 Series

The most used and tested chair with excellent seating comfort.

The NorSap 1500 is perfect for use in rugged environments where you are in need of high quality and comfortable seating. Possible to integrate controlling equipment in the armrests.



Functions

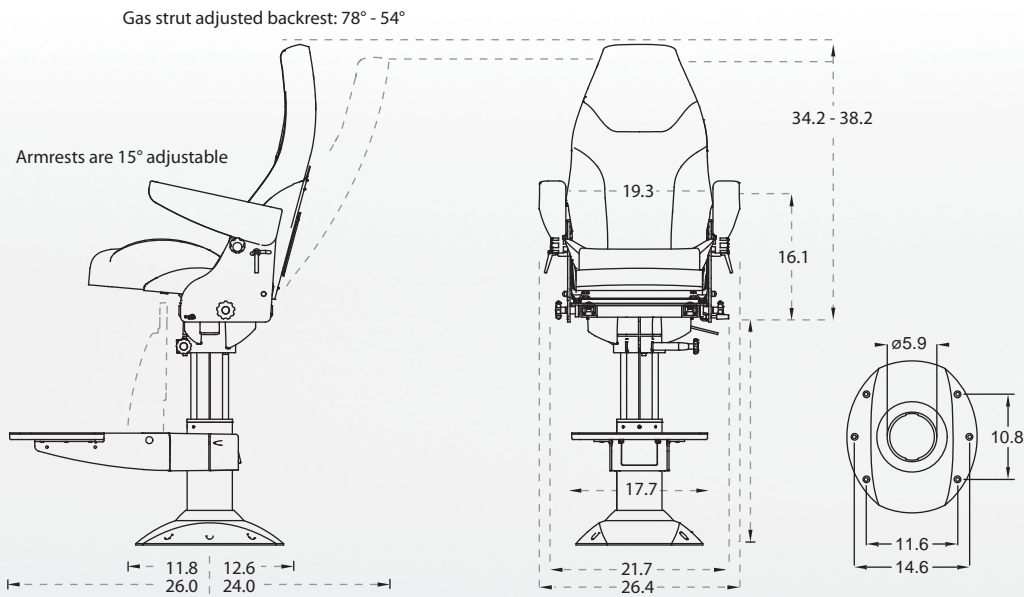
- Fixed or dampened height adjustable column
- Adjustable footrest, with vertical adjustment and flip up
- Adjustable armrests, rise and tiltable
- Adjustable backrest and seat
- Storage net on the backrest
- The seat, footrest and armrests folds up
- Chair swivels 360°
- Glide rails provide horizontal adjustment

Optional

- Ability to have equipment fitted in armrest (page 28.)
- 2 or 4 point seat belt
- Heated seat
- Lumbar support
- Additional seat cover
- Deck rail mounting
- Personal upholstery combination and embroidery. See page 26.

More info on the web...





Working diameter of the chair folded Ø32.2 inches. Expanded, Ø52.7 inches. Weight 110 lbs

Article number and description

Flanged based chairs (to be mounted on deck or deck rail)

- 6500 SO/HV** NorSap 1500 with gas dampened adjustable column
- 6510 SO/HV** NorSap 1500 with gas dampened adjustable column
- 6520 SO/HV** NorSap 1500 with gas dampened adjustable column
- 6400 SO** NorSap 1500 with fixed column
- 6405** NorSap 1500 with fixed column, no footrest

Sitting height measurements

- 28.3 - 36.2 inches
- 26.4 - 31.5 inches
- 24.8 - 28.7 inches
- 34.6 inches
- 16.1 inches

Charcoal gray powder coated with structure as standard.

SO after the article number gives black powder coating. **HV** gives white powder coating.

5-star legged chairs

- 6535** NorSap 1500 Office with gas dampened adjustable column 29.5 - 37.0 inches
- 6530** NorSap 1500 Office with gas dampened adjustable column 27.1 - 32.3 inches
- 6525** NorSap 1500 Office with gas dampened adjustable column 25.6 - 29.5 inches
- 6411** NorSap 1500 Office with fixed column 34.6 inches
- 6410** NorSap 1500 Office with fixed column, no footrest 16.1 inches

Seat top only

- R-0010** NorSap 1500 seat top only - with glide rails
- 6465** Adapter plate for mounting the seat top on a flat base

Extra equipment for the armrests

Please see page 28 for a selected overview of the possibilities for customizing the armrests.

Deck rail

Please see pages 18 - 23 for further details.

Seat covers

- 6451** Water repellent seat cover
- 6470** Fabric seat cover - durable

All sitting heights measured without load - a variation of 0.7-1.7 inches may occur depending on the load due to contraction of gas-struts, springs and upholstery. Does not apply to the fixed height models. All fixed height columns can be cut to desired sitting height. If nothing else is requested, the chair will be delivered with black leather upholstery.

NorSap 1700 Series

Same quality and comfort
as the NorSap 1500, but with larger armrests.

The two top covers of the armrest fronts are easily adapted as a mounting frame
for your required equipment.



Functions

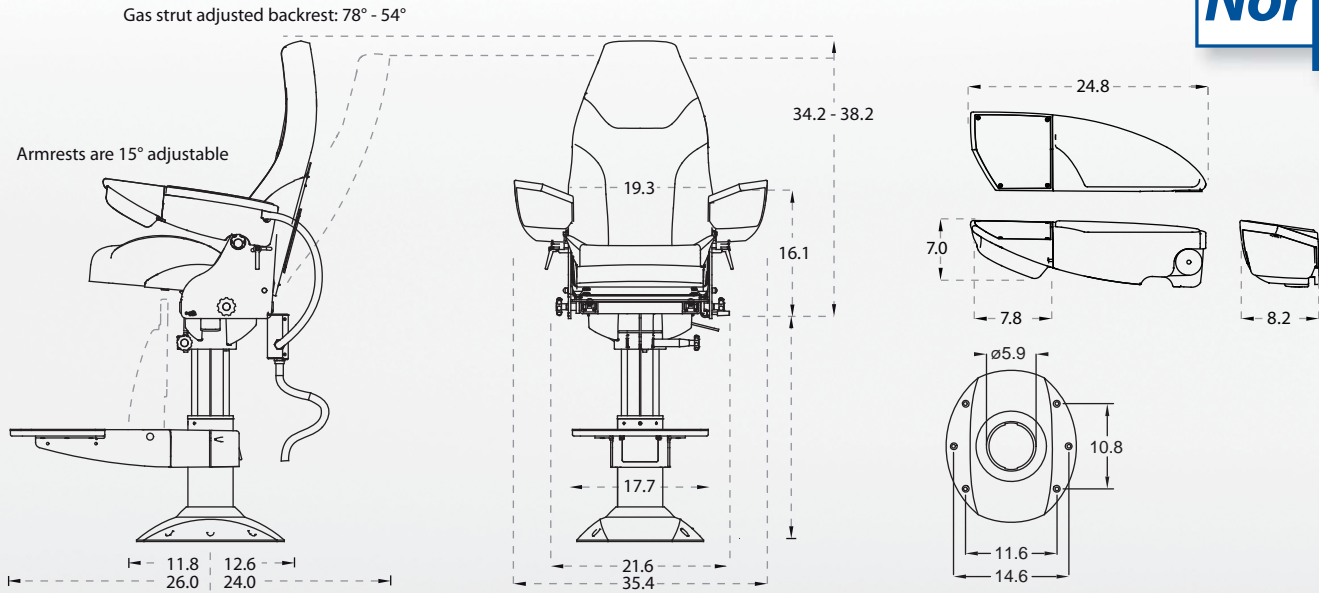
- Dampened height adjustable column
- Adjustable footrest, with vertical adjustment and flip up
- Adjustable armrests, rise and tiltable
- Adjustable backrest and seat
- Storage net on the backrest
- The seat, footrest and armrests fold up
- Chair swivels 360°

Optional

- Ability to have equipment fitted in armrest
- 2 or 4 point seat belt
- Heated seat
- Lumbar support
- Additional seat cover
- Deck rail mounting
- Personal upholstery combination and embroidery. See page 26.
- Junction box for cables at rear

More info on the web...





Article number and description

- 6700 NorSap 1700 with gas dampened height adjustable column
- 6710 NorSap 1700 with gas dampened height adjustable column
- 6720 NorSap 1700 with gas dampened height adjustable column
- 6730 NorSap 1700 with fixed height column
- 6725 NorSap 1700 with fixed height column, no footrest

Sitting height measurements

- 28.3 - 35.4 inches
- 26.4 - 31.5 inches
- 24.8 - 28.7 inches
- 34.6 inches
- 16.1 inches

Extra equipment

- 6474 Additional seat cover in fabric, no armrest cover
- 6475 Additional water repellent seat cover in artificial leather, no armrest cover

Deck rail

Please see pages 20 - 23 for further details.

All sitting heights measured without load - a variation of 0.7-1.7 inches may occur depending on the load due to contraction of gas-struts, springs and upholstery. Does not apply to the fixed height models. All fixed height columns can be cut to desired sitting height. If nothing else is requested, the chair will be delivered with black leather upholstery.

NorSap 2000 Series

A modern looking helmsman chair.

The NorSap 2000 combines a modern design with the most possibilities for seating adjustments. The chair provides very comfortable seating and gives an exclusive touch in a high-end bridge arrangement.



Functions

- Dampened height adjustable column
- Adjustable footrest, with vertical adjustment and flip up
- Adjustable armrests, back/forward, up/down & tilt
- Adjustable backrest and seat
- Backrest can be put in an almost horizontal position
- Chair swirl is mounted on a ball bearing plate and swivels 360°

Optional

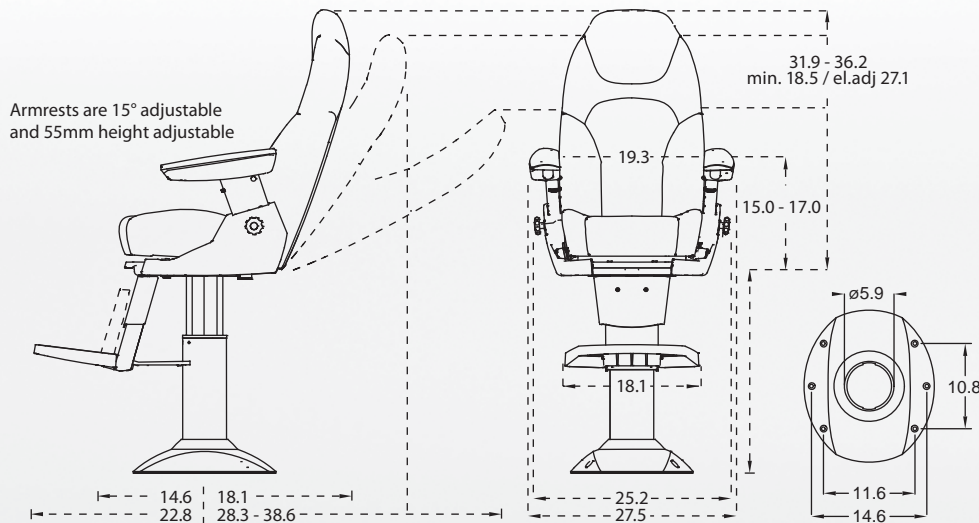
- Ability to have equipment fitted in armrest
- 2 or 4 point seat belt
- Heated seat
- Lumbar support
- Deck rail mounting
- Personal upholstery combination and embroidery
- The footrest is as standard fixed to seating frame. Alternatively it can be fixed to the column

More info on the web...



NorSap 2000 Yacht

Gas strut adjusted backrest: 77° - 51° - (22° not suitable for use)
 Electrical adjusted backrest: 77° - 51°



Working diameter of the chair folded Ø31.1 inches.
 Expanded, with the backrest all the way down Ø58.3 inches.
 Weight 154 lbs.



Art. No.: 6632

Article number and description

NorSap 2000 - Standard NorSap charcoal gray colored flanged chairs

6630	NorSap 2000 with gas dampened height adjustable column	24.8 - 32.7 inches
6631	NorSap 2000 with electrical adjustment	24.8 - 32.7 inches
6632	NorSap 2000 with gas dampened height adjustable column	28.7 - 36.2 inches
6633	NorSap 2000 with electrical adjustment	28.7 - 36.2 inches
6634	NorSap 2000 with gas dampened height adj. column, no foot rest	16.9 - 19.7 inches
6635	NorSap 2000 with electrical adjustment, no footrest	16.9 - 20.5 inches
R-0080	NorSap 2000 seat top only	

Sitting height measurements

<i>NorSap 2000 Yacht - Black powder coated/laquered flanged chairs</i>		
6640	NorSap 2000 Yacht with gas dampened height adjustable column	24.8 - 32.7 inches
6641	NorSap 2000 Yacht with electrical adjustment	24.8 - 32.7 inches
6642	NorSap 2000 Yacht with gas dampened height adjustable column	28.7 - 36.2 inches
6643	NorSap 2000 Yacht with electrical adjustment	28.7 - 36.2 inches

NorSap 2000 - 5-star Legged Office Chairs

6644	NorSap 2000 Office gas dampened height adjustable column	25.6 - 33.5 inches
6645	NorSap 2000 Office gas dampened height adjustable column	29.5 - 37.0 inches
6646	NorSap 2000 Office gas damp. height adj. column, no foot rest	17.7 - 21.3 inches

Extra equipment

The NorSap 2000 can use some of the same armrest equipment as the NorSap 1500, see page 28.

Deck rail

Please see pages 18 - 23 for further details.

All sitting heights measured without load - a variation of 0.7-1.7 inches may occur depending on the load due to contraction of gas-struts, springs and upholstery. Does not apply to the fixed height models. All fixed height columns can be cut to desired sitting height. If nothing else is requested, the chair will be delivered with black leather upholstery.

NorSap MX System

A modular based platform which results in a variety of possible combinations.

- System is based on interchangeable modules that can be combined to suit your requirements.
- Thoroughly tested mechanical solutions.
- Easy access to installed equipment.
- Developed to fulfill the requirements of maritime standards of operator chairs. Focusing on ergonomics, line of sight, security, function and mechanical durability.
- Electrical and manual adjustment of the seat and other parts affecting the operator. Individual adjustment to meet the strongest demands of ergonomics for the operator.



More info on the web...



Options

- Electrically or manually turn, or no turn at all.
- Electrically rise and lower of the chairs column, or fixed height.
- Electrically or manually rise and lower of footrest, or no footrest.
- Standard, glass infused or a wider footrest plate, with or without foot switches.
- Electric adjustment of the seat and other parts affected by the operator.
- Custom built frame casing and armrest.
- Additional monitor, keyboard or customer specified instrument holders.
- Integrated control panel for adjusting the chairs' electrical functions.

Modular armrests

The armrests can either be based on previously developed solutions by NorSap or your own specified design.

The armrests below are some of the solutions already developed. Only the cover lid needs modification to suit your equipment. The lid is manufactured in 3 mm aluminum. Cut-outs for dials, buttons, joystick and thrusters are easily done.

The back part of the modular armrests contains also a fold out note pad table combined with a cup holder. For more alternatives for the back part, please visit norsap.com. The front parts of the modular armrests are angle adjustable - combined with the eight way adjustable seat this ensures an optimal ergonomically working environment.



STANDARD+

DEL-3747H - Right
DEL-3747V - Left

Has a practical handle in front to ensure easy chair declining and works as protection of controlling equipment.

LARGE

DEL-3745H - Right
DEL-3745V - Left

Same casing as the STANDARD+ but without the handle.

XL

DEL-3828 - Right
DEL-3829 - Left

XXL

DEL-3746H - Right
DEL-3746V - Left

XXL+

DEL-3746H + DEL-3844
DEL-3746V + DEL-3844

Same armrest casing as the XXL, but has an additional monitor casing mounted in front. Monitor not supplied.



A NorSap MX 3500 chair.

Basic deck rails

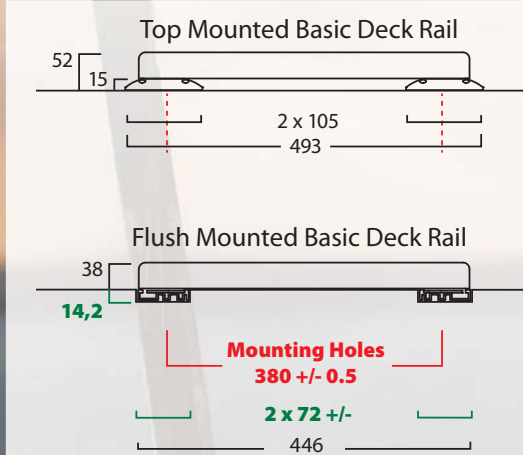
Smart deck rails with low height and an elegant design which gives credit to the existing deck. Still at a favorable cost.

- Easy to fit
- Comes with release handle to be mounted on seat top.
- Concealed wiring (does not apply to the NorSap 800 chairs)
- Can be delivered in customized lengths
- Can be combined with two carriage wagons
- Manufactured in combination of stainless steel and aluminum.
- For rougher use we recommend the Standard deck rails.

Art. No.:	Description
6676-1000	39.4 inches long top mounted Basic Deck Rail for the NorSap 800 series
6676-1500	59.0 inches
6676-2000	78.7 inches
6676-2500	98.4 inches
6676-3000	118.1 inches
6677-1000	39.4 inches long flush mounted Basic Deck Rail for the NorSap 800 series
6677-1500	59.0 inches
6677-2000	78.7 inches
6677-2500	98.4 inches
6677-3000	118.1 inches
6652-1000	39.4 inches long top mounted Basic Deck Rail for the NorSap 1000 series
6652-1500	59.0 inches
6652-2000	78.7 inches
6652-2500	98.4 inches
6652-3000	118.1 inches
6653-1000	39.4 inches long flush mounted Basic Deck Rail for the NorSap 1000 series
6653-1500	59.0 inches
6653-2000	78.7 inches
6653-2500	98.4 inches
6653-3000	118.1 inches
6650-1000	39.4 inches long top mounted Basic Deck Rail for the NorSap 1500 and 2000 series
6650-1500	59.0 inches
6650-2000	78.7 inches
6650-2500	98.4 inches
6650-3000	118.1 inches
6651-1000	39.4 inches long flush mounted Basic Deck Rail for the NorSap 1500 and 2000 series
6651-1500	59.0 inches
6651-2000	78.7 inches
6651-2500	98.4 inches
6651-3000	118.1 inches

More info on the web...





BLACK = physical measurements of the product
 RED = recommended mounting measurements
 GREEN = recommended measurements of the cut out of the deck when flush option. All measurements in MM.



NorSap 1500 on top mounted Basic deck rails.
 Photo by P.O. Dybvik



Standard deck rails – manually operated

High quality deck rails designed for all kinds of environments. Can be released and locked from sitting position.



More info on the web...



NorSap 1500 on flush mounted deck rails.
Photo by P.O. Dybvik

Stable and solid deck rails

- Manufactured of anodized aluminum with rubber coated center plate
- Comes with release handle to be mounted on seat top
- Top mounted or flush implementation in deck
- Can be delivered in customized lengths
- Can be combined with two carriage wagons

The *wide* deck rails fit the following models: NorSap 1500, 1700 and 2000, the *narrow* version is for the NorSap 800 and 1000.

Flush and top mounted versions of the narrow deck rails.

Art. No.: Description

6250-1100UL 43.3 inches top mounted *narrow* Deck Rail for the 800/1000 series
6250-1500UL 59.0 inches
6250-2000UL 78.7 inches
6250-2500UL 98.4 inches
6250-3000UL 118.1 inches

6251-1000UL 43.3 inches flush mounted *narrow* Deck Rail for the 800/1000 series
6251-1500UL 59.0 inches
6251-2000UL 78.7 inches
6251-2500UL 98.4 inches
6251-3000UL 118.1 inches

6350-1100UL 43.3 inches top mounted *wide* Deck Rail
6350-1500UL 59.0 inches
6350-2000UL 78.7 inches
6350-2500UL 98.4 inches
6350-3000UL 118.1 inches

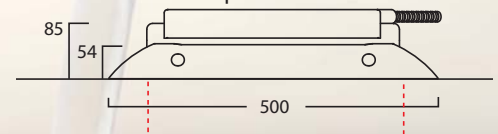
6351-1100UL 43.3 inches flush mounted *wide* Deck Rail
6351-1500UL 59.0 inches
6351-2000UL 78.7 inches
6351-2500UL 98.4 inches
6351-3000UL 118.1 inches

6354-1100UL 43.3 inches top mounted *wide* Deck Rail with slot and cable conveyer
6354-1500UL 59.0 inches
6354-2000UL 78.7 inches
6354-2500UL 98.4 inches
6354-3000UL 118.1 inches

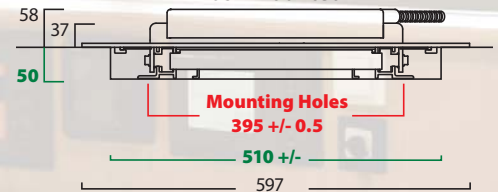
6355-1100UL 43.3 inches flush mounted *wide* Deck Rail with slot and cable conveyer
6355-1500UL 59.0 inches
6355-2000UL 78.7 inches
6355-2500UL 98.4 inches
6355-3000UL 118.1 inches

Narrow deck rail

Top Mounted

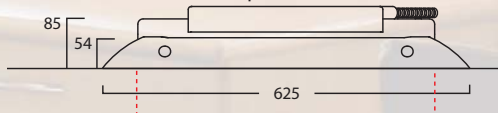


Flush Mounted

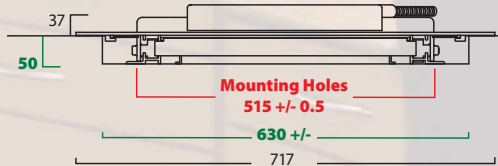


Wide deck rail

Top Mounted



Flush Mounted



BLACK = physical measurements of the product
 RED = recommended mounting measurements
 GREEN = recommended measurements of the cut out of the deck when flush option. All measurements in MM.

Standard deck rails – electrically operated

High quality deck rails designed for all kinds of environments. An electrically operated deck rail increases the comfort and has integrated cable guiding.

- Manufactured of anodized aluminum with rubber coated center plate
- Easy to fit
- Has a slot for cables in the center of the deck rail
- Optionally delivered with flexible cable channel for additional cables

Art. No.: Description

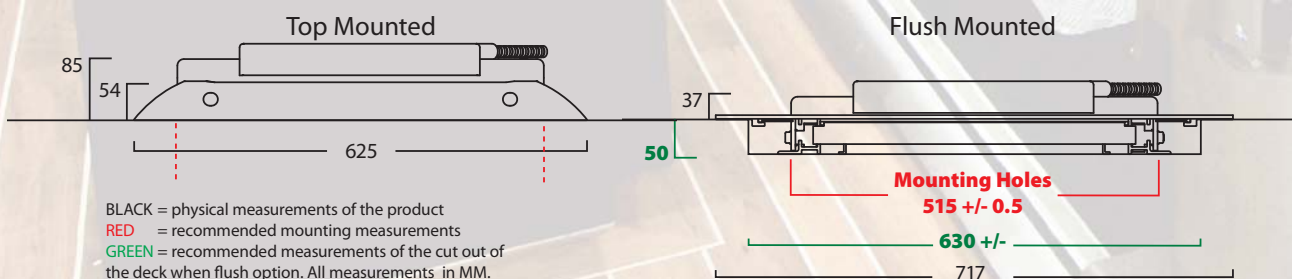
6670-1100UL 43.3 inches top mounted electrically driven wide deck rail for the NorSap series with conveyer for cables
6670-1500UL 59.0 inches
6670-2000UL 78.7 inches
6670-2500UL 98.4 inches
6670-3000UL 118.1 inches

6671-1100UL 43.3 inches flush mounted electrically driven wide deck rail for the NorSap series with conveyer for cables
6671-1500UL 59.0 inches
6671-2000UL 78.7 inches
6671-2500UL 98.4 inches
6671-3000UL 118.1 inches

6672-1100UL 43.3 inches top mounted electrically driven wide deck rail for the NorSap series
6672-1500UL 59.0 inches
6672-2000UL 78.7 inches
6672-2500UL 98.4 inches
6672-3000UL 118.1 inches

6673-1100UL 43.3 inches flush mounted electrically driven wide deck rail for the NorSap series
6673-1500UL 59.0 inches
6673-2000UL 78.7 inches
6673-2500UL 98.4 inches
6673-3000UL 118.1 inches

6910 24V Universal AC input / Full range (115V/230V)
 For electrically operated deck rails an additional power supply of 24V 20A DC is required, not included.



NorSap 2500 on top mounted electrically driven deckrails with slot for cables. Photo courtesy of MT.



More info on the web...



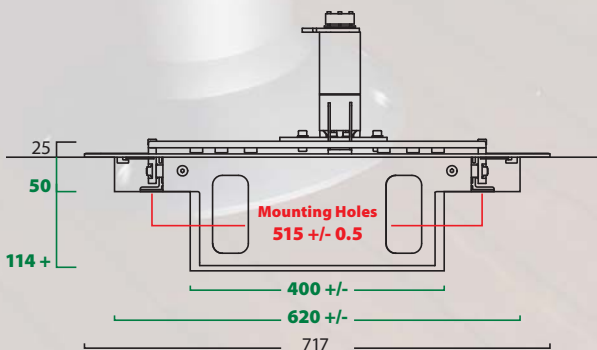
MX Deck Rails - electrically operated

High quality deck rails designed for all kinds of environments. An electrically operated deck rail increases the comfort and has integrated cable guiding. MX deck rails have more space to allow a larger number of cables.

Art. No.:	Description
6675-1500	59.0 inches electrically driven MX deck rail
6675-2000	78.7 inches
6675-2500	98.4 inches
6675-3000	118.1 inches

For electrically operated deck rails an additional power supply of 24V 20A DC is required, not included.
6910 24V Universal AC input / Full range (115V/230V)

Flush mounted MX Deck Rail
 Art. No.: 6675



BLACK = physical measurements of the product
 RED = recommended mounting measurements
 GREEN = recommended measurements of the cut out of the deck when flush option. All measurements in MM.



Upholstery, embroidery and colors

You may choose from our standard colors and upholstery combinations. You may also choose which color the contrast seam is sewn in, giving you the ability to personalize the look of the chair.

NorSap operates with standard leather, velour and fabric colors. All materials suited for the maritime working environment.

Leather / Perforated Leather

Recommended for normal use. Flame retardant. Perforated leather has article no.: 6011 (center field only)

Velour

In excess of 50 000 cycles Martindale. Recommended for hard use. Flame retardant.

Fabric

In excess of 500 000 cycles Martindale. Recommended for extreme use.



Standard leather colors



Standard fabric colors



Standard velour colors



NorSap 3500 Pillow Pattern

Pattern A

Pattern B

Pattern C

Pattern D



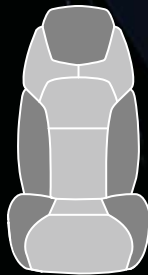
NorSap 2000 Pillow Pattern

Pattern A

Pattern B

Pattern C

Pattern D

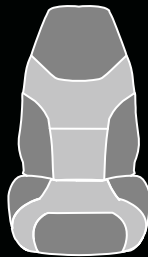


NorSap 800/1000/1500/1700/2500 Pillow Pattern

1500/1700/2500

1000

800



The illustration shows what areas are selectable. Only the NorSap 2000 and NorSap 3500 chairs have more than one pattern combination.

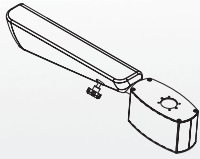
When ordering upholstery for the 3500 or 2000, please refer to the A, B, C or D pattern.

If nothing else is requested the chair will be delivered all in black leather.

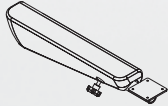
OUR
HERE



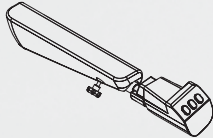
1500 Series Armrest Equipment



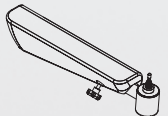
5901H (right) / 5901V (left)
Armrest with casing for Kamewa joystick. *Joystick not supplied



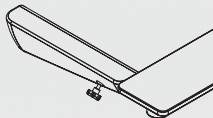
5902H (right) / 5902V (left)
Armrest with plate for mouse trackball. (Holes: 55 x 55 mm). *Joystick not supplied



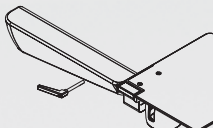
5903H (right) / 5903V (left)
Armrest with fittings for trackball from Kelvin Hughes. *Joystick not supplied



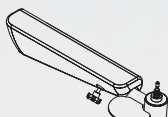
5904H (right) / 5904V (left)
Armrest with casing Ø60 mm for small joystick. *Joystick not supplied



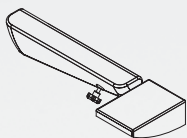
5905
Armrest with fittings for removable and adjustable keyboard table. Complete set (two arm rests)



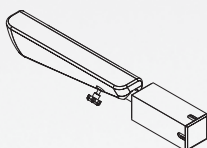
6803H
Right hand note pad board. Flips up and away when not in use. To be combined with i.e. a cup holder (6801) as shown on illustration.



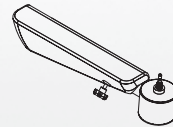
5908H (right) / 5908V (left)
Armrest with casing Ø60 for small joystick and mouse trackball pad. *Joystick not supplied



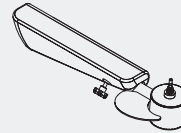
5907H (right) / 5907V (left) W=200 mm
5912H (right) / 5912V (left) W=250 mm
Armrest fitting for combining mouse trackball and joystick. *Joystick not supplied



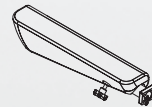
5906H (right) / 5906V (left)
Armrest with casing for four (4) mouse trackballs. *Joystick not supplied



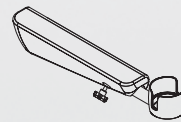
5909H (right) / 5909V (left)
Armrest with casing Ø100 mm for joystick. *Joystick not supplied



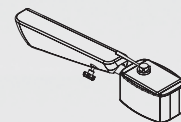
5910H (right) / 5910V (left)
Armrest with casing Ø100 for joystick and mouse trackball pad. *Joystick not supplied



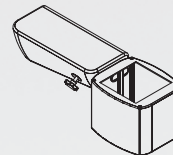
5911H (right) / 5911V (left)
Armrest with mounting block. (Holes: 34,6 x 20 mm)



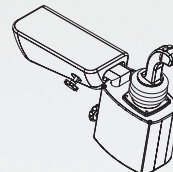
6801H (right) / 6801V (left)
A cup holder (Ø90 mm). *coffee not supplied



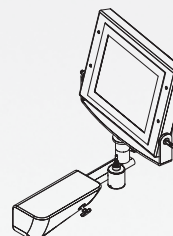
5955H (right) / 5955V (left)
ECO 600 Joystick holder *joystick not supplied



5950H (right) / 5950V (left)
Extra wide armrest with 135 x 135 mm holder. *Joystick not supplied

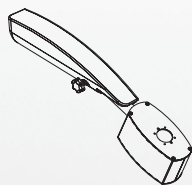


5954H (right) / 5954V (left)
Extra wide armrest with height adjustable controller box. 180 x 140 x 190 mm. *Joystick not supplied

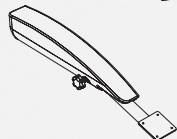


5952H (right) / 5952V (left)
Extra wide armrest with monitor holder combined Ø60 joystick holder. *Joystick not supplied

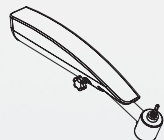
1000 Series Armrest Equipment



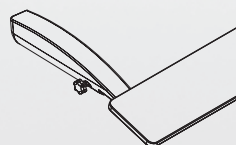
5801H (right) / 5801V (left)
 Armrest with casing for Kamewa joystick.
**Joystick not supplied*



5802H (right) / 5802V (left)
 Armrest with plate for mouse trackball.



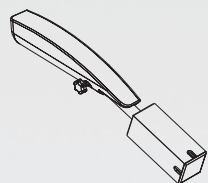
5804H (right) / 5804V (left)
 Armrest with casing Ø60 for small joystick.
**Joystick not supplied*



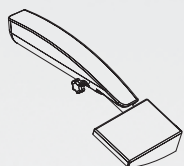
5805 (both armrests)
 Armrests with fittings for adjustable keyboard table.



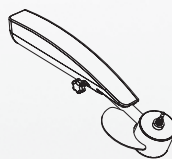
6803H
 Right hand note pad board.
 To be combined with i.e. a cup holder (5813H/V). Can also be a stand alone arm rest.



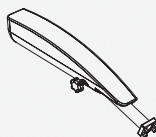
5809H (right) / 5809V (left)
 Armrest with casing for four (4) mouse trackballs.



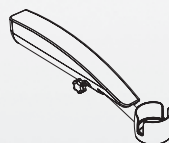
5810H(right)/5810V(left)W=200 mm
5811H(right)/5811V(left)W=250 mm
 Armrest fitting for combining mouse trackball and joystick. W=width



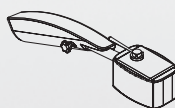
5808H (right) / 5808V (left)
 Armrest with casing Ø100 for joystick and mouse trackball pad.
5807H (right) / 5807V (left)
 Armrest with casing Ø100 for joystick as shown but without trackball pad. **Joystick not supplied*



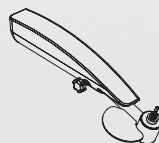
5812H (right) / 5812V (left)
 Armrest with mounting block.
 (Holes: 35 x 20 mm)



5813H (right) / 5813V (left)
 A cup holder.



5816H (right) / 5816V (left)
 ECO 600 Joystick holder
**joystick not supplied*



5806H (right) / 5806V (left)
 Armrest with casing Ø60 for small joystick and mouse trackball pad.
**Joystick not supplied*



Visit norsap.com/chairs
 Try out the interactive chair builder.

– You may choose from a complete list of chairs and extra equipment. Columns and deck rails vividly displayed interactively for your convenience.



Use your QR reader to launch the chair-builder.

Requires Adobe Flash supported device.

Examples of extra equipment

Additional Seat Covers

- NorSap 1000 chairs seat covers
6041 Seat Cover Water Repellent
6050 Seat Cover Fabric
 NorSap 1500 chairs seat covers
6451 Seat Cover Water-Repellent
6470 Seat Cover Fabric



Monitor Holder

6668 / 6669

A height, angle and distance adjustable monitor holder with VESA mounting.



Communication

Integrated loudspeaker and microphone in the headrest.



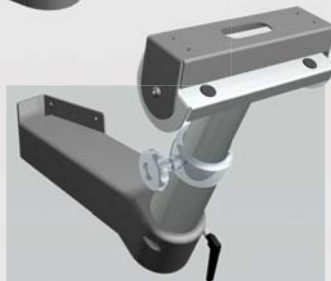
- 6487** Microphone
6486 Loudspeaker 8 Ω
6489 Microphone mounting bracket

Monitor Holder

6664V(left) / **6664H** (right) T=7.9 inches

6665V(left) / **6665H** (right) T=9.8 inches

Adjustable monitor arm. Lower/rise, back/forth, left/right and tilt possibilities. **T** equals the horizontal length adjustability.



6663V(left) / **6663H**(right)

Seat Belts

- 6460** 4 Point Seat Belt
6461 2 Point Seat Belt



Footrest for Shuttle service boats

- 6215** Double Footrest (1500/2000 series) Ø150 mm.
6214 Double Footrest (1000 series) Ø100 mm.
6209 Double Footrest (800 series) Ø80 mm.



Footrest

- 6340** Footrest Loop NS1500
6030 Footrest Loop NS1000



Fixed table columns



Fixed table columns with 300mm diameter base and top flange offer strength and stability at a low weight. Anodized tube with standard white base and top flanges, or polished aluminum tube with mirror polished base.

Article Number and Description / Color/Material

7020	Ø80 mm column, Ø300 mm flange / Grey powder coated aluminum flange
7020BL	Ø80 mm column, Ø300 mm flange / Chrome stainless steel covered aluminum flange, polished aluminum tube
7020SI	Ø80 mm column, Ø300 mm flange / Silver lacquered aluminum flange
7020SM	Ø80 mm column, Ø230 mm flange / Grey powder coated smaller aluminum flange
7025	Ø65 mm column, Ø300 mm flange / Grey powder coated aluminum flange
7025BL	Ø65 mm column, Ø300 mm flange / Chrome stainless steel coated aluminum flange, polished aluminum tube
7030	Ø65 mm column, Ø230 mm flange / Grey powder coated smaller aluminum flange
7030SI	Ø65 mm column, Ø230 mm flange / Silver lacquered smaller aluminum flange

State desired height from deck to top of upper flange when ordering.
If nothing is stated, it will be delivered as standard 27.5 inches.



BL - Chrome stainless steel covered aluminum base (Ø300)

SH - White lacquered aluminum base (Ø300)

SM - Silver lacquered small aluminum base (Ø230)

10 reasons to do business with NorSap and our partners



NorSap has over 40 years of experience in the marine market, is economically solid and because of this we can be a long term partner.

NorSap has increased the focus and resources related to product development to keep up the market leader position for helmsman chairs.

The owners of NorSap have a long term view of the ownership and are willing to do necessary investments to keep up the no. 1 position.

NorSap is not bureaucratic and the owners are active in the daily business so that fast decisions can be made when necessary.

In NorSap we produce a lot of the parts ourselves, have a highly skilled working force and have long experience. All mounting is done at NorSap. Totally this gives confidence that the supplied products are of excellent quality.

NorSap has a construction department which makes it possible in short time to customize solutions when this is needed.

NorSap has advanced machinery for prototype production so that you as a customer can see a vital part "live" when this is needed.

NorSap has very limited problems with sold products, but if so; these are handled fast and professional to help the end user in a best possible way.

Excellent international dealer network.

Totally we like to think that this means we are a high quality supplier you believe in and want to have a long term relation to.



NorSap AS
Mjåvannsveien 35
4628 Kristiansand S
Norway

Telephone +47 38 18 52 00 | Fax +47 38 18 20 86
Website: www.norsap.com | sale@norsap.com



Imtra Marine Products
30 Samuel Barnet Boulevard
New Bedford, Massachusetts
02745 USA

Telephone +1 508 995 7000 | Fax +1 508 998 5359
Website: www.imtra.com | info@imtra.com

Download a PDF
of this brochure.

